



CYLINDER



EXTREME SECURITY

Application

Integrated with Residential and Commercial door locksets.

Operation

Cam 360° rotation by operating Key or Thumbturn.

Materials

Body and Plug: Hardened Brass
 Cam: Hardened Steel
 Pins: Nickel Silver and Stainless Steel

Standard Finish

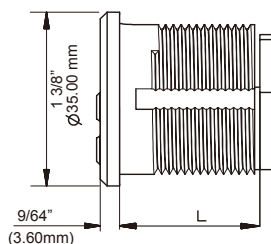
Bright Brass(US3) Satin Brass(US4)
 Satin Nickel(US15)
 Bright Chrome(US26)
 Satin Chrome(US26D)
 Bright Stainless Steel(US32)
 Satin Stainless Steel(US32D)

Special Finish

Customized Finish available based on BHMA Finish Codes.

High Security Mechanism

Precision pin tumbler system.
 Pick/Drill resistance for premium security requirement.



Mortise Cylinder



Interchangeable Core Cylinder



Dimension Chart:

PIN	L	
	Inch	mm
5	1"	25.4
6	1-1/8"	28.58
6	1-2/8"	31.75
7	1-3/8"	34.93
7	1-4/8"	38.1
7	1-6/8"	44.45
7	1-7/8"	47.63
7	2"	50.8
7	2-1/8"	53.98
7	2-2/8"	57.15
7	2-3/8"	60.33
7	2-4/8"	63.5
7	2-5/8"	66.68
7	2-6/8"	69.85
7	2-7/8"	73.03
7	3"	76.2
7	3-1/8"	79.38
7	3-2/8"	82.55

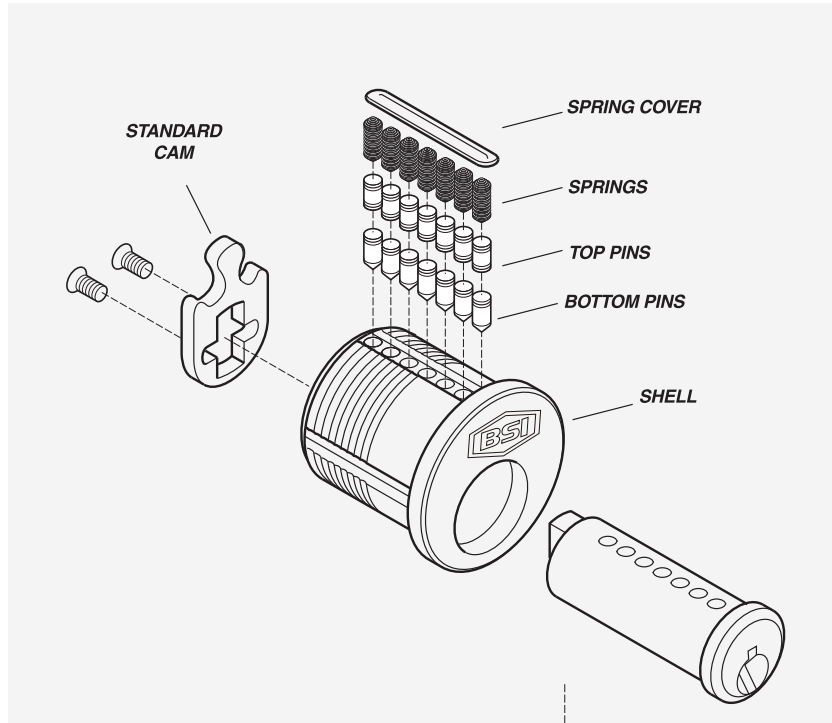
PIN	L	
	Inch	mm
6	1-2/8"	31.75
7	1-3/8"	34.93
7	1-4/8"	38.1
7	1-6/8"	44.45
7	1-7/8"	47.63
7	2"	50.8
7	2-1/8"	53.98
7	2-2/8"	57.15
7	2-3/8"	60.33
7	2-4/8"	63.5
7	2-5/8"	66.68
7	2-6/8"	69.85
7	2-7/8"	73.03
7	3"	76.2

※ Customized length available.

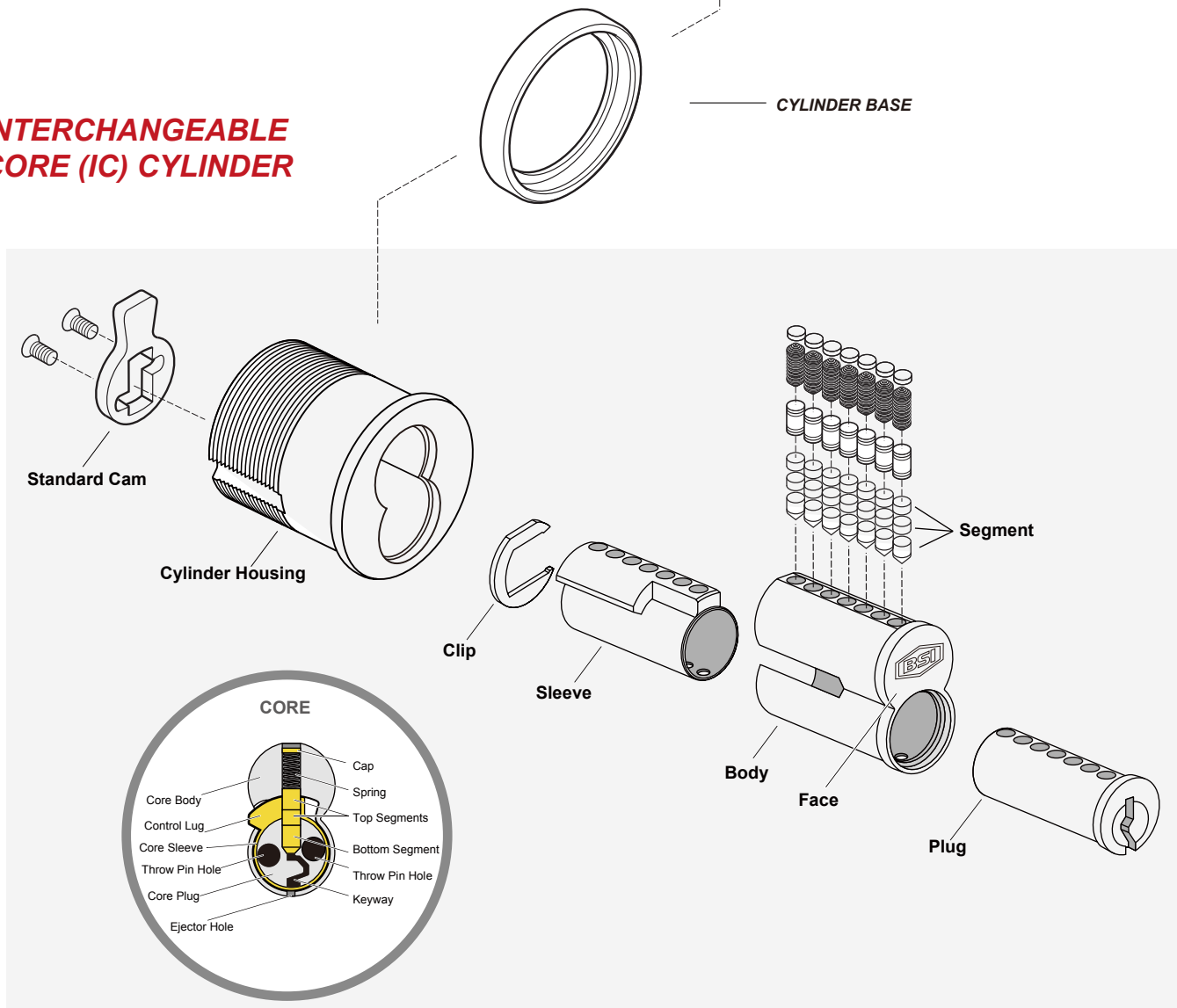


EXPLODED DRAWINGS

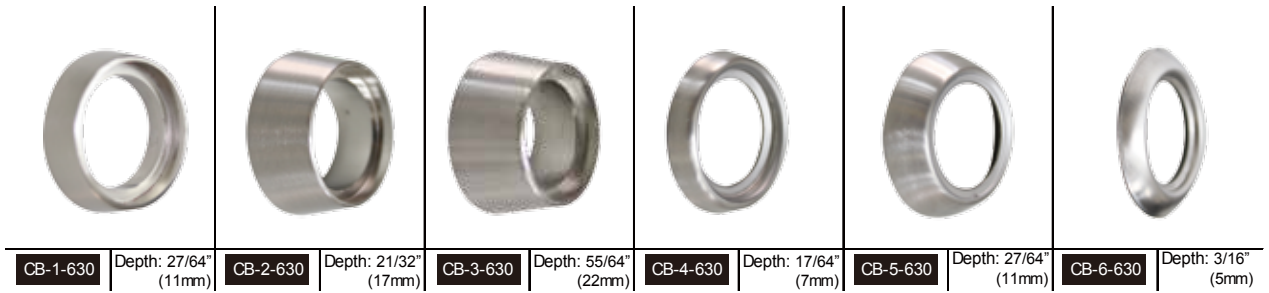
MORTISE CYLINDER



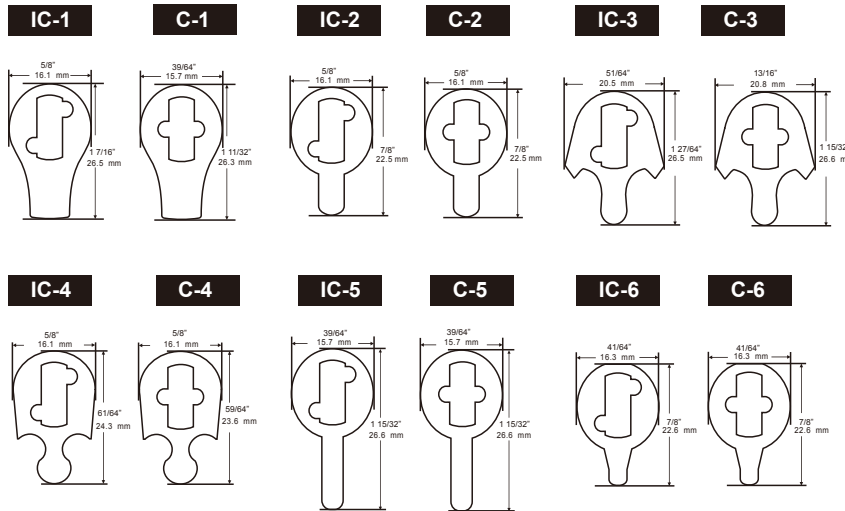
INTERCHANGEABLE CORE (IC) CYLINDER



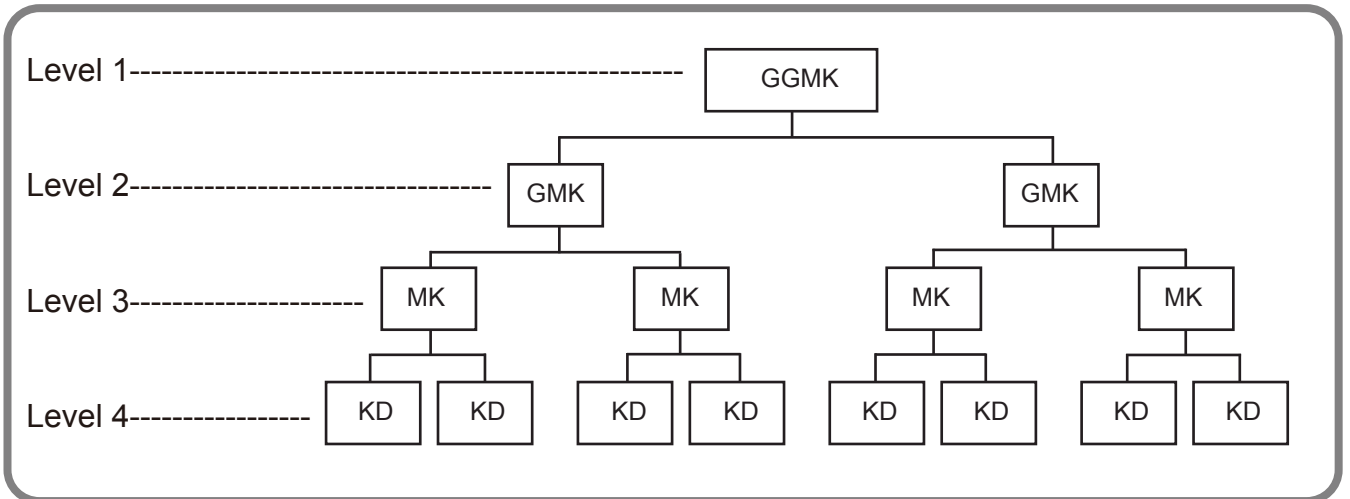
CYLINDER BASES



CAMS



BSI KEY SYSTEM

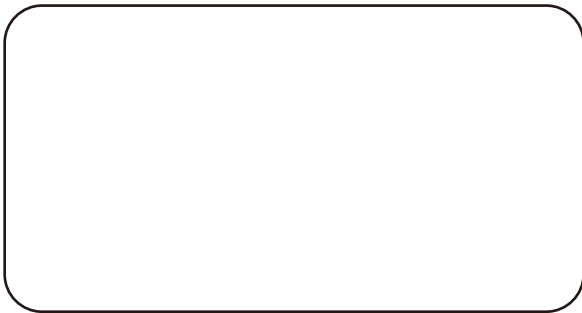


COMMON ACRONYMS

- | | |
|---|-------------------------------------|
| <u>GGMK</u> : Great Grand Master Key | <u>GMK</u> : Grand Master Key |
| <u>MK</u> : Master Key | <u>NMK</u> : No Master Key |
| <u>KAA</u> : Keyed Alike to a specific number | <u>KA</u> : Keyed Alike |
| <u>KD</u> : Keyed Different | <u>X</u> : Cross Keyed |
| <u>SKA</u> : Single Keyed Alike | <u>SKD</u> : Single Keyed Different |



BSI AGENT



BSI Security Co., Ltd.

E-MAIL: sales@bsi-hardware.com

WEBSITE: www.bsi-hardware.com